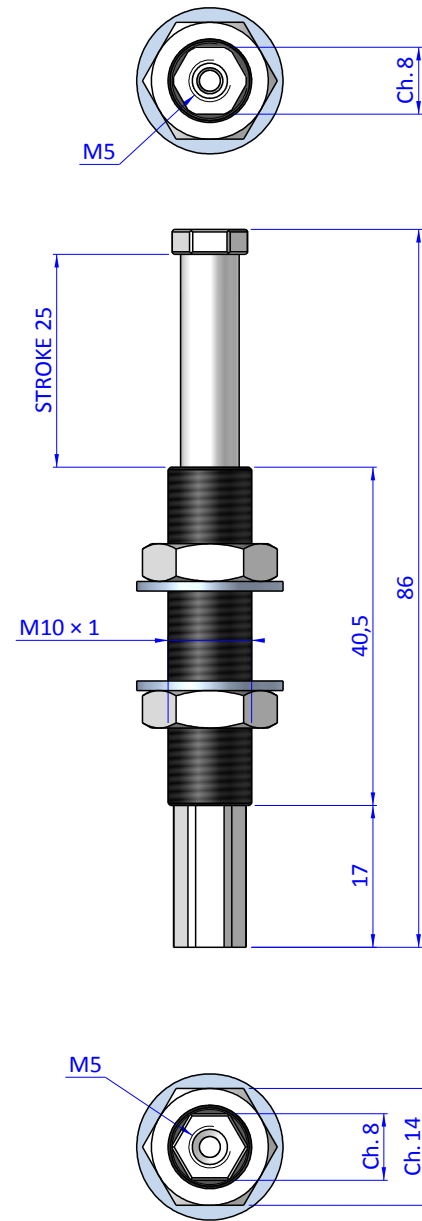
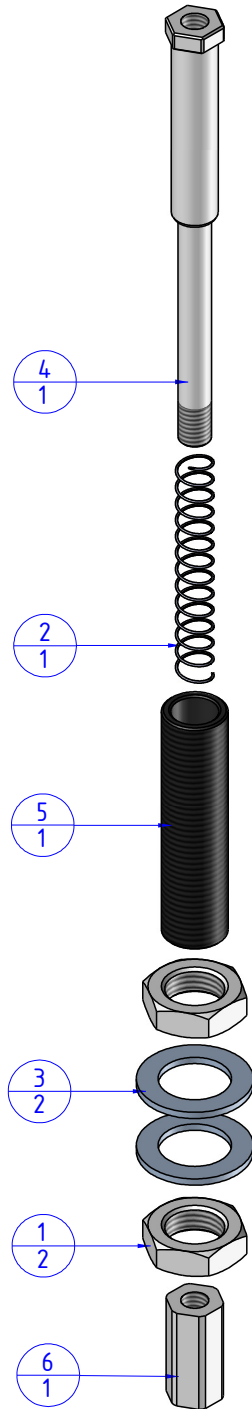


THE PROPERTY OF THE DRAWING IS ESTABLISHED BY LAW. IT IS FORBIDDEN TO PRODUCE OR SHOW IT TO THIRD PARTY, WITHOUT A WRITTEN AGREEMENT.

Item	Name	Q.ty
1	05.01.005.06	2
2	M.5.8X38.50B	1
3	R.10.SCH	2
4	SDR.1025.01	1
5	SDRG.1025.02	1
6	VSN.10.1	1



Format A3

UNI 936-76

		DESIGNED FROM	REVIEW
		FP SERVICES	A / 5
GENERAL TOLERANCE	DESCRIPTION	DATE	WEIGHT
UNI - ISO 2768	CA.SDRG.1025	11/02/2019	0,016kg
CLASSE f		CODE	CA.SDRG.1025